

## ML825 & ML825A Double Toilet Roll Holder

### Material Specifications

- Enamel Baked Aluminium
- Single Mould ABS Holder with Stainless Steel Pins and Spring

### Mounting

- Surface Mount Visible Fix

### Dimensions

- 330mmW x 60mmH x 121mmD

### Finish

- Grey Enamel Frame, Grey Holder

### Installation Guidelines

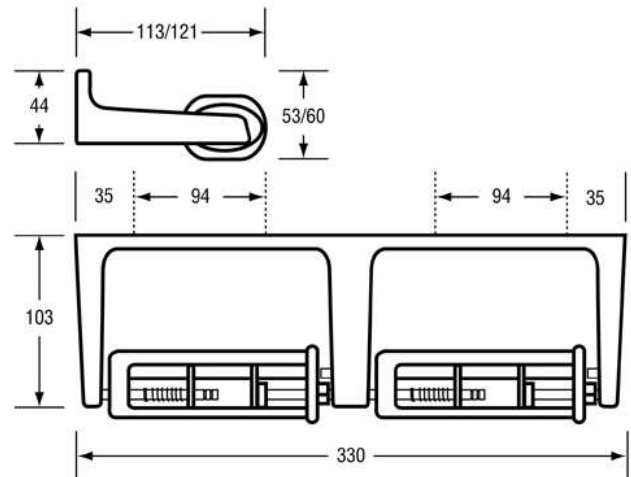
- *May be subject to Australian Building Code Regulations for height and location fixing and may be subject to placement as per architectural drawings. In all cases, this is the responsibility of the installer.*
1. Determine appropriate installation height and location using the mounting holes at the back of the toilet roll holder.
  2. Use fixings provided to fasten to the wall or partition.
  3. Ensure unit is level and secure to finish installation.

### Features

- **ML825:** Restricted feed – dispenses approximately 3 sheets of toilet paper at one time
- **ML825A:** Unrestricted feed

### Operation

- **ML825** ideal for kindergartens or school as it reduces the amount of paper waste
- A standard toilet roll is loaded by releasing the locking pin (slide to the left), fit the paper onto the roll holder and replace in the unit. Repeat the process in reverse to remove an empty toilet roll.



This product is AS1428.1 compliant (accessible compliant) when installed in accordance with the guidelines.

*The technical recommendations contained in this document are necessarily of a general nature and should not be relied on for specific applications without first securing competent advice. Whilst Metlam Australia Pty Ltd has taken all reasonable steps to ensure the information contained herein is accurate and current, it does not warrant the accuracy or completeness of the information and does not accept liability for errors or omissions. Any Commercial product should only be installed by a competent tradesperson and serviced/maintained by knowledgeable janitorial staff or competent people. Metlam Australia accepts no responsibility for any damage to product, walls or fixtures due to incorrect installation or maintenance of any of their products.*

The photographs and line drawings of the products presented above are representational only.  
Metlam Australia Pty Ltd reserves the right to, and from time to time, make changes and improvements in design and dimensions.